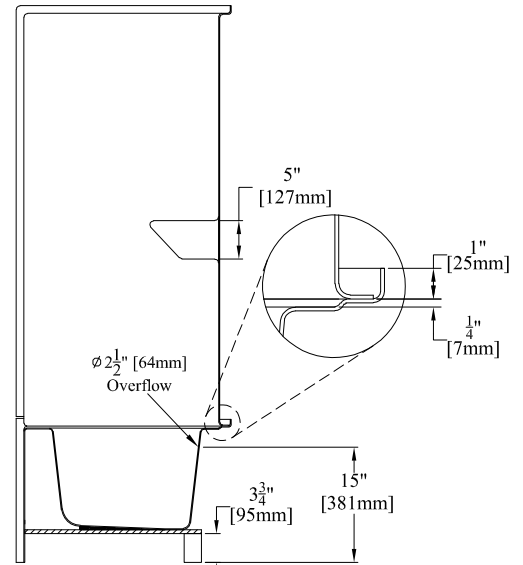
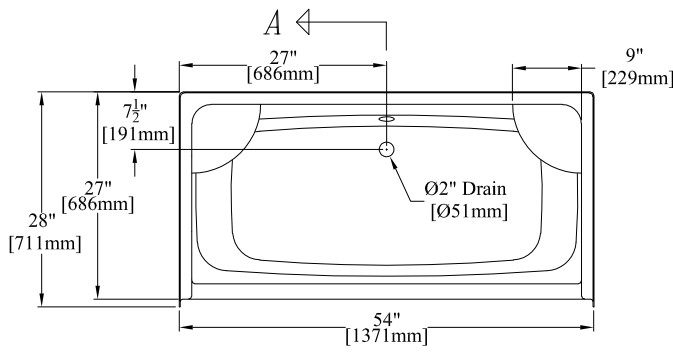


ELEVATION



SECTION "A-A"



PLAN

**54" [1371mm] 3-Piece Tub/Shower
w/ Molded Shelving**

CENTER DRAIN

PRODUCT SPECIFICATIONS:

- * Product complies with NAHB, HUD UM-73A, and ANSI-Z124.1.2.
- * Reinforced & slip resistant floor.
- * Sufficient drain clearance to accommodate above the floor plumbing.
- * Integral 1" [25mm] nailing flange.
- * Molded shelving in the back corners of the unit.
- * Factory drilled 2 1/2" [64mm] overflow.
- * Door Opening: W-50 1/2" [1283mm]
H-53 1/2" [1358mm]
- * Bathwell Dimensions (At Top): W-49 1/2" [1257mm]
D-21" [533mm]
H-11 1/2" [292mm]
- * Bathwell Dimensions (At Bottom): W-43 1/2" [1105mm]
D-16 1/2" [419mm]
- * Bathwell Capacity (At Overflow): 35 Gallons [132L]
- * Water Level (At Overflow): 9 3/4" [248mm]
- * All dimensions +/- 1/2" [12.8mm]
- * This unit is available without an overflow. (Model 9654XM)
- * Clarion Bathware reserves the right to change design and/or dimensions.
- * Dimensions are the same for RE, MP, and all other versions of this model.

9654X

54" [1371mm] 3-Piece Tub/Shower w/ Molded Shelving

Clarion
BATHWARE
44 Amsler Ave.
Shippenville, PA 16254

Phone: (814) 226-5374
Toll Free: (800) 576-9228
Fax: (814) 226-0730
www.clarionbathware.com

Signatures For Approval: _____ Date: _____

Customer: _____
Arch./Engr: _____

Quote #: _____
Job Name: _____

Dwg. #
9654X-CUT

Dwg. By: NMH
DATE: 4/18/2018

***** IMPORTANT NOTICE *****

Clarion Bathware reserves the right to change the design and/or dimensions of its products at any time. This drawing may have been updated since this publication was issued. Before placing an order for any product, refer to our website at www.clarionbathware.com to obtain the most current drawings for any products that you wish to purchase. Compare the date of revision of the drawing that you have with the one on the drawing on our website. If you do not have internet access, please call your sales representative or Clarion Bathware's sales department at 1-800-576-9228.